

SmartCooler®

DATASHEET

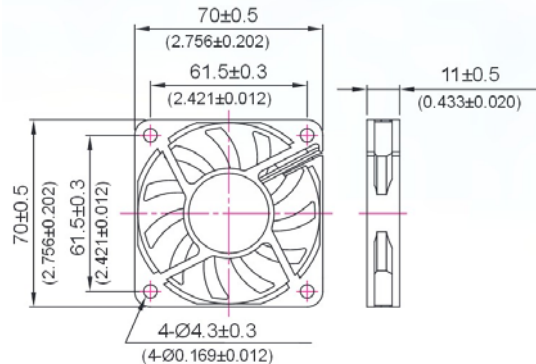
cooler than smart

LFM1170: SmartCooler® industrial fan 70x70x10mm

Picture similar to original product:



Drawing similar to original product:



Description:

70x10mm SmartCooler® industrial high end fan made of PBT + 15-30% GF UL94V-0 with very low noise features, minimum vibration and minimum pulsing noise. Rotation from 2.000 up to 6.000 R.P.M.. Airflow from 21.0 – 62.0m³/h. Noise from 15-35dBA.

Product data:

Size (LxWxH):	70x70x10mm	Bearing:	2 ball high tech nano bearing
Hole distance:	61.5mm	Weight:	31 gramm
Hole diameter:	4.3mm	Frame:	4-Hole Frame
Cable:	300mm, UL 1007 AWG 26	Connector:	3-Pin or 4-Pin connector 2.54mm
Optional features:	Speed signal	PWM signal	Autorestart

Function data:

(V)= 4-Hole, (P)= PWM

Version:	L	E	M	S	H	U	X
R.P.M. +/- 10%:	2.000	2.500	3.000	3.500	4.000	5.000	6.000
Airflow m³/h:	21.00	27.00	32.00	40.00	42.00	52.00	62.00
Airflow cfm:	12.35	15.88	18.82	23.52	24.70	30.58	36.47
Aqmm.	0.927	1.172	1.854	2.781	3.708	5.563	7.418
Noise dbA:	15.00	19.00	22.00	25.00	28.00	32.00	35.00

Electrical data:

	L	E	M	S	H	U	X
Rated current Amp:	0.09A	0.11A	0.18A	0.25A	0.27A	0.30A	0,40A
Rated Power Watt:	1.08W	1.32W	2.16W	3.00W	3.24W	3.60W	4.80W
Starting voltage:	5.00V	5.00V	5.00V	5.00V	5.00V	5.00V	5.00V
Operation voltage:	12.0V	12.0V	12.0V	12.0V	12.0V	12.0V	12.0V

Physical boundaries:

MTBF time about:	<= H = 300K/h, > H = 250K/h	Drop test:	Withstands free body drop of 30cm on a 1m² wooden table with a thickness of 10mm.
Max.environment°C:	70°C	Vib. test:	1.000 R.P.M at 2mm amplitude for 30 Min.
Item:	Safety standards:		
Produced according following standards:	CE, TÜV, UL, UR		
Item:	Packing:		
Size retail Box (LxWxH):	170x120x10mm		
Shipping qty. carton:	100 pcs.		

Note:

Revision:

Revision: 3.4

Last change: 2012-06-01

SmartCooler GmbH accept no liability for accuracy of the above given information.
Technical changes are subject to alteration.

SmartCooler GmbH - Bernardstraße 5-7 - D-63179 Oberthausen, Germany - EUROPE - Fon +49/6104/600 47-0 - Fax +49/6104/600 47-99
Geschäftsführer - Reinhard Bormuth - Handelsregister Offenbach HRB 11467 - VAT-No.: DE114191179
Internet: <http://www.smartcooler.de> - E-Mail: support@smartcooler.de