

SmartCooler®

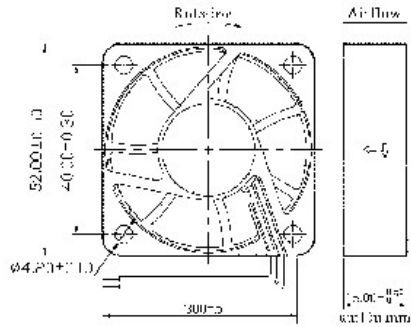
DATASHEET

cooler than smart

LFM1352: SmartCooler® industrial fan 52x52x15mm

Picture similar to original product:

Drawing similar to original product:



Description:

52x15mm SmartCooler® industrial high end fan made of PBT + 15-30% GF UL94V-0 with very low noise features, minimum vibration and minimum pulsing noise. Rotation from 2.000 up to 6.000 R.P.M.. Airflow from 11.0 – 32.0m³/h. Noise from 9-35dB(A).

Product data:

Size (LxWxH):	52x52x15mm	Bearing:	2 ball high tech nano bearing
Hole distance:	42.0mm	Weight:	38 gramm
Hole diameter:	4.3mm	Frame:	4-Hole Frame
Cable:	300mm, UL 1007 AWG 26	Connector:	3-Pin connector 2.54mm
Optional features:	Speed signal	Autorestart	PWM-Signal

Function data:

(V)= 4-Hole, (P)= PWM

Version:	W	L	E	M	S	H	U	X
R.P.M. +/- 10%:	2.000	3.000	3.500	4.000	4.500	5.000	5.500	6.000
Airflow m ³ /h:	11.00	15.70	18.40	21.00	23.50	26.20	29.30	32.00
Airflow cfm:	6.470	9.235	10.82	12.35	13.82	15.41	17.23	18.82
Aqmm.	0.556	1.275	1.750	2.225	2.937	3.650	4.450	5.100
Noise dbA:	9.000	15.00	19.00	22.00	25.00	28.00	32.00	35.00

Electrical data:

Rated current Amp:	0.05A	0.07A	0.08A	0.09A	0.13A	0.17A	0.24A	0.30A
Rated Power Watt:	0.60W	0.84W	0.96W	1.08W	1.56W	2.04W	2.88W	3.60W
Starting voltage:	12.0V	5.00V	5.00V	5.00V	5.00V	5.00V	5.00V	5.00V
Operation voltage:	12.0V	12.0V	12.0V	12.0V	12.0V	12.0V	12.0V	12.0V

Physical boundaries:

MTBF time about:	<= H = 300K/h, > H = 250K/h	Drop test:	Withstands free body drop of 30cm on a 1m ² wooden table with a thickness of 10mm.
Max.environment°C:	70°C	Vib. test:	1.000 R.P.M at 2mm amplitude for 30 Min.

Item:

Safety standards:

Produced after following standards: CE, TÜV, UL, UR

Item:

Packing:

Size retail Box (LxWxH): 120x120x15mm

Shipping qty. carton: 200 pcs.

Note:

Revision:

Revision: 3.3

Last change: 2008-09-01

SmartCooler GmbH accept no liability for accuracy of the above given information.
Technical changes are subject to alteration.

SmartCooler GmbH - Bernardstraße 5-7 - D-63179 Obertshausen, Germany - EUROPE - Fon +49/6104/600 47-0 - Fax +49/6104/600 47-99
Geschäftsführer - Reinhard Bormuth - Handelsregister Offenbach HRB 11467 - VAT-No.: DE114191179
Internet: <http://www.smartcooler.de> - E-Mail: support@smartcooler.de