

SmartCooler®

DATASHEET

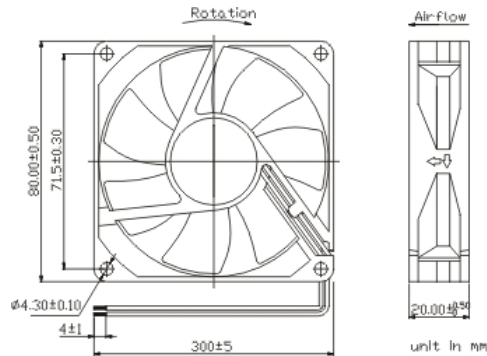
cooler than smart

LFM1480: SmartCooler® industrial fan 80x80x20mm

Picture similar to original product:



Drawing similar to original product:



Description:

80x20mm SmartCooler® industrial high end fan made of PBT + 15-30% GF UL94V-0 with very low noise features, minimum vibration and minimum pulsing noise. Rotation from 1.200 up to 4.000 R.P.M.. Airflow from 26.4 – 85.0m³/h. Noise from 9-35 dBA.

Product data:

Size (LxWxH):	80x80x20mm	Bearing:	2 ball high tech nano bearing
Hole distance:	71.5mm	Weight:	62 gramm
Hole diameter:	4.3mm	Frame:	4-Hole Frame
Cable:	200mm, UL 1007 AWG26	Connector:	3-Pin, 4-Pin connector 2,54mm
Optional features:	Speed signal	Autorestart	PWM-Signal

Function data:

(V)= 4-Hole, (P)= PWM

Version:	L(V)	E(V)	M(V)	S(V)	H(P)(V)	U(P)(V)	X(P)(V)
R.P.M. +/- 10%:	1.200	1.500	2.000	2.500	3.000	3.500	4.000
Airflow m³/h:	26.40	33.00	43.00	54.00	65.00	75.50	85.00
Airflow cfm:	15.53	19.41	25.29	31.76	38.23	44.41	50.00
Aqmm.	0.491	0.745	1.310	1.960	2.560	3.880	4.580
Noise dbA:	9.000	12.00	19.00	25.00	28.00	32.00	35.00

Electrical data:

Rated current Amp:	0.07A	0.08A	0.09A	0.13A	0.15A	0.24A	0.30A
Rated Power Watt:	0.84W	0.96W	1.08W	1.56W	1.80W	2.88W	3.60W
Starting voltage:	5.00V	5.00V	5.00V	5.00V	5.00V	5.00V	5.00V
Operation voltage:	12.0V	12.0V	12.0V	12.0V	12.0V	12.0V	12.0V

Physical boundaries:

MTBF time about:	<= H = 300K/h, > H = 250K/h	Drop test:	Withstands free body drop of 30cm on a 1m² wooden table with a thickness of 10mm.
Max.environment°C:	70°C	Vib. test:	1.000 R.P.M at 2mm amplitude for 30 Min.

Item:

Safety standards:

Produced after following standards:

CE, TÜV, UL, UR

Item:

Packing:

Size retail Box (LxWxH):

190x150x20mm

Shipping qty. carton:

100 pcs.

Note:

Revision:

Revision: 3.3

Last change: 2008-09-01

SmartCooler GmbH accept no liability for accuracy of the above given information.
Technical changes are subject to alteration.

SmartCooler GmbH - Bernardstraße 5-7 - D-63179 Obertshausen, Germany - EUROPE - Fon +49/6104/600 47-0 - Fax +49/6104/600 47-99
Geschäftsführer - Reinhard Bormuth - Handelsregister Offenbach HRB 11467 - VAT-No.: DE114191179
Internet: <http://www.smartcooler.de> - E-Mail: support@smartcooler.de