

SmartCooler®

DATASHEET

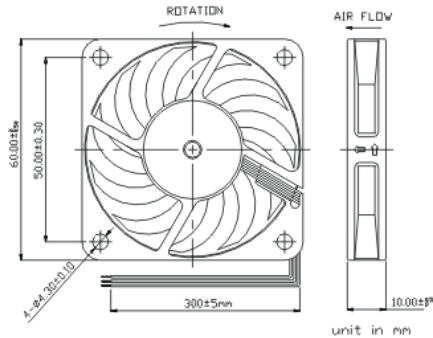
cooler than smart!

LFN1160: SmartCooler® industrial fan 60x60x10mm

Picture similar to original product:



Drawing similar to original product:



Description:

60x10mm SmartCooler® industrial high end fan made of PBT + 15-30% GF UL94V-0 with very low noise features, minimum vibration and minimum pulsing noise. Rotation from 2.500 up to 5.500 R.P.M.. Airflow from 19.8 – 43.6m³/h. Noise from 15-38dBA.

Product data:

Size (LxWxH):	60x60x10mm	Bearing:	2 ball high tech nano bearing
Hole distance:	50.0mm	Weight:	27 gramm
Hole diameter:	4.3mm	Frame:	4-Hole Frame
Cable:	300mm, UL 1007 AWG 26	Connector:	3-Pin connector 2.54mm
Optional features:	Speed signal	Autorestart	PWM-Signal

Function data:

(V)= 4-Hole, (P)= PWM

Version:	L	E	M	S	H	U	X
R.P.M. +/- 10%:	2.500	3.000	3.500	4.000	4.500	5.000	5.500
Airflow m³/h:	19.80	23.80	27.80	31.80	35.70	39.60	43.60
Airflow cfm:	11.64	14.00	16.35	18.70	21.00	23.29	25.64
Aqmm.	0.937	1.452	1.968	2.484	3.000	3.750	4.500
Noise dbA:	15.00	19.00	22.00	28.00	32.00	35.00	38.00

Electrical data:

Rated current Amp:	0.24A	0.28A	0.33A	0.38A	0.47A	0.52A	0.60A
Rated Power Watt:	1.20W	1.44W	1.68W	1.92W	2.40W	2.64W	3.00W
Starting voltage:	5.00V	5.00V	5.00V	5.00V	5.00V	5.00V	5.00V
Operation voltage:	5.00V	5.00V	5.00V	5.00V	5.00V	5.00V	5.00V

Physical boundaries:

MTBF time about:	<= H = 300K/h, > H = 250K/h	Drop test:	Withstands free body drop of 30cm on a 1m² wooden table with a thickness of 10mm.
Max.environment°C:	70°C	Vib. test:	1.000 R.P.M at 2mm amplitude for 30 Min.

Item:

Safety standards:

Produced after following standards:

CE, TÜV, UL, UR

Item:

Packing:

Size retail Box (LxWxH):

170x120x10mm

Shipping qty. carton:

200 pcs.

Note:

Revision:

Revision: 3.3

Last change: 2008-09-01

SmartCooler GmbH accept no liability for accuracy of the above given information.

Technical changes are subject to alteration.

SmartCooler GmbH - Bernardstraße 5-7 - D-63179 Obertshausen, Germany - EUROPE - Fon +49/6104/600 47-0 - Fax +49/6104/600 47-99

Geschäftsführer - Reinhard Bormuth - Handelsregister Offenbach HRB 11467 - VAT-No.: DE114191179

Internet: <http://www.smartcooler.de> - E-Mail: support@smartcooler.de