

# SmartCooler<sup>®</sup>

**DATASHEET**

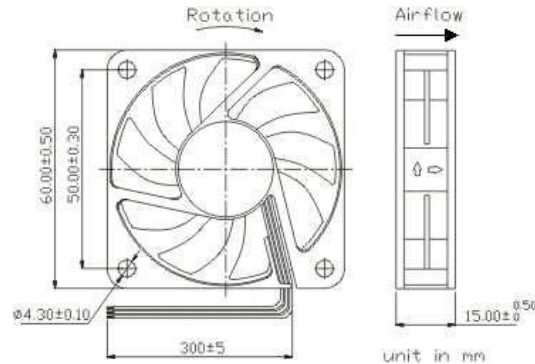
*cooler than smart*

## LFN1360: SmartCooler<sup>®</sup> industrial fan 60x60x15mm

Picture similar to original product:



Drawing similar to original product:



### Description:

60x15mm SmartCooler<sup>®</sup> industrial high end fan made of PBT + 15-30% GF UL94V-0 with very low noise features, minimum vibration and minimum pulsing noise. Rotation from 1.500 up to 6.000 R.P.M.. Airflow from 13.5 - 54.0m<sup>3</sup>/h. Noise from 12-45dBA.

### Product data:

Size (LxWxH):	60x60x15mm	Bearing:	2 ball high tech nano bearing
Hole distance:	50.0mm	Weight:	39 gramm
Hole diameter:	4.3mm	Frame:	4-Hole Frame
Cable:	300mm, UL 1007 AWG 26	Connector:	3-Pin connector 2.54mm
Optional features:	Speed signal	Autorestart	PWM-Signal

### Function data:

(V)= 4-Hole, (P)= PWM

Version:	W	L	E	M	S	H	U	X
R.P.M. +/- 10%:	1.500	2.000	2.500	3.000	3.500	4.000	5.000	6.000
Airflow m <sup>3</sup> /h:	13.50	18.00	22.50	27.00	32.00	36.00	45.00	54.00
Airflow cfm:	7.940	10.58	13.23	15.88	18.82	21.17	26.47	31.76
Aqmm.	0.330	0.673	0.948	1.320	2.320	3.335	4.350	5.350
Noise dbA:	12.00	15.00	19.00	22.00	28.00	32.00	35.00	45.00

### Electrical data:

Rated current Amp:	0.07A	0.09A	0.14A	0.21A	0.28A	0.33A	0.60A	0.96A
Rated Power Watt:	0.36W	0.48W	0.72W	1.08W	1.44W	1.68W	3.00W	4.80W
Starting voltage:	5.00V	5.00V	5.00V	5.00V	5.00V	5.00V	5.00V	5.00V
Operation voltage:	5.00V	5.00V	5.00V	5.00V	5.00V	5.00V	5.00V	5.00V

### Physical boundaries:

MTBF time about:	<= H = 300K/h, > H = 250K/h	Drop test:	Withstands free body drop of 30cm on a 1m <sup>2</sup> wooden table with a thickness of 10mm.
Max.environment°C:	70°C	Vib. test:	1.000 R.P.M at 2mm amplitude for 30 Min.

Item:

Safety standards:

Produced after following standards:

CE, TÜV, UL, UR

Item:

Packing:

Size retail Box (LxWxH):

170x120x15mm

Shipping qty. carton:

200 pcs.

Note:

Revision:

Revision: 3.3

Last change: 2008-09-01

SmartCooler GmbH accept no liability for accuracy of the above given information.

Technical changes are subject to alteration.

SmartCooler GmbH - Bernardstraße 5-7 - D-63179 Obertshausen, Germany - EUROPE - Fon +49/6104/600 47-0 - Fax +49/6104/600 47-99

Geschäftsführer - Reinhard Bormuth - Handelsregister Offenbach HRB 11467 - VAT-No.: DE114191179

Internet: <http://www.smartcooler.de> - E-Mail: [support@smartcooler.de](mailto:support@smartcooler.de)