

# SmartCooler®

**DATASHEET**

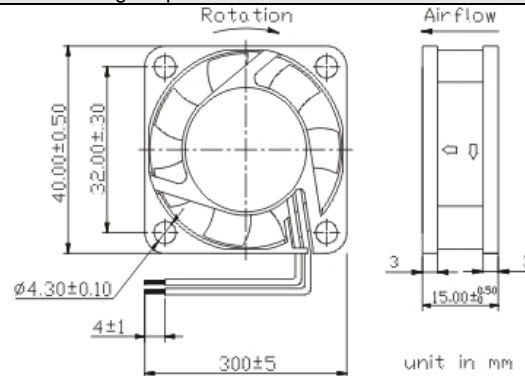
*cooler than smart*

## LFW1340: SmartCooler® industrial fan 40x40x15mm

Picture similar to original product:



Drawing similar to original product:



**Description:**

40x15mm SmartCooler® industrial high end fan made of PBT + 15-30% GF UL94V-0 with very low noise features, minimum vibration and minimum pulsing noise. Rotation from 3.000 up to 9.000 R.P.M.. Airflow from 5.5 – 16.5m³/h. Noise from 12-32dBa.

**Product data:**

Size (LxWxH):	40x40x15mm	Bearing:	2 ball high tech nano bearing
Hole distance:	32.0mm	Weight:	22 gramm
Hole diameter:	4.3mm	Frame:	4-Hole Frame
Cable:	200mm, UL 1007 AWG 28	Connector:	3-Pin connector 2.54mm
Optional features:	Speed signal	Autorestart	PWM-Signal

**Function data:**

(V)= 4-Hole, (P)= PWM

Version:	L	E	M	S	H	U	X
R.P.M. +/- 10%:	3.000	4.000	5.000	6.000	7.000	8.000	9.000
Airflow m³/h:	5.500	7.300	9.200	11.00	12.80	14.60	16.50
Airflow cfm:	3.235	4.294	5.412	6.471	7.529	8.588	9.706
Aqmm.	1.035	1.892	2.750	4.105	5.131	6.670	8.210
Noise dbA:	12.00	15.00	19.00	22.00	25.00	28.00	32.00

**Electrical data:**

	L	E	M	S	H	U	X
Rated current Amp:	0.03A	0.04A	0.05A	0.06A	0.07A	0.08A	0.10A
Rated Power Watt:	0.72W	0.96W	1.00W	1.44W	1.68W	1.92W	2.40W
Starting voltage:	12.0V	12.0V	12.0V	12.0V	12.0V	12.0V	12.0V
Operation voltage:	24.0V	24.0V	24.0V	24.0V	24.0V	24.0V	24.0V

**Physical boundaries:**

MTBF time about:	<= H = 300K/h, > H = 250K/h	Drop test:	Withstands free body drop of 30cm on a 1m² wooden table with a thickness of 10mm.
Max.environment°C:	70°C	Vib. test:	1.000 R.P.M at 2mm amplitude for 30 Min.

Item:

Safety standards:

Produced after following standards: CE, TÜV, UL, UR

Item:

Packing:

Size retail Box (LxWxH): 150x100x15mm

Shipping qty. carton: 200 pcs.

**Note:**

**Revision:**

Revision: 3.3

Last change: 2008-08-29

SmartCooler GmbH accept no liability for accuracy of the above given information.  
Technical changes are subject to alteration.

SmartCooler GmbH - Bernardstraße 5-7 - D-63179 Obertshausen, Germany - EUROPE - Fon +49/6104/600 47-0 - Fax +49/6104/600 47-99  
Geschäftsführer - Reinhard Bormuth - Handelsregister Offenbach HRB 11467 - VAT-No.: DE114191179  
Internet: <http://www.smartcooler.de> - E-Mail: [support@smartcooler.de](mailto:support@smartcooler.de)