

SmartCooler®

DATASHEET

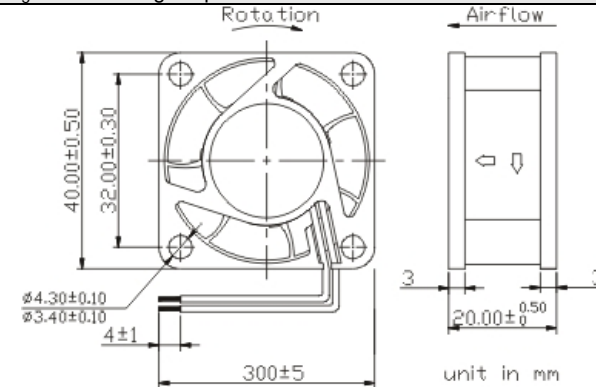
cooler than smart

LFW1440: SmartCooler® industrial fan 40x40x20mm

Picture similar to original product:



Drawing similar to original product:



Description:

40x20mm SmartCooler® industrial high end fan made of PBT + 15-30% GF UL94V-0 with very low noise features, minimum vibration and minimum pulsing noise. Rotation from 3.000 up to 9.000 R.P.M.. Airflow from 6.2 – 18.5m³/h. Noise from 12-35dBA.

Product data:

| | | | |
|--------------------|-----------------------|-------------|-------------------------------|
| Size (LxWxH): | 40x40x20mm | Bearing: | 2 ball high tech nano bearing |
| Hole distance: | 32.0mm | Weight: | 25 gramm |
| Hole diameter: | 4.3mm | Frame: | 4-Hole Frame |
| Cable: | 300mm, UL 1007 AWG 28 | Connector: | 3-Pin connector 2.54mm |
| Optional features: | Speed signal | Autorestart | PWM-Signal |

Function data:

(V)= 4-Hole, (P)= PWM

| Version: | L | E | M | S | H | U | X |
|-----------------|-------|-------|-------|-------|-------|-------|-------|
| R.P.M. +/- 10%: | 3.000 | 4.000 | 5.000 | 6.000 | 7.000 | 8.000 | 9.000 |
| Airflow m³/h: | 6.200 | 8.200 | 10.50 | 12.50 | 14.50 | 16.50 | 18.50 |
| Airflow cfm: | 3.647 | 4.824 | 6.176 | 7.353 | 8.529 | 9.706 | 10.88 |
| Aqmm. | 1.115 | 1.948 | 3.198 | 4.449 | 5.641 | 7.430 | 9.220 |
| Noise dbA: | 12.00 | 15.00 | 19.00 | 22.00 | 28.00 | 32.00 | 35.00 |

Electrical data:

| | L | E | M | S | H | U | X |
|--------------------|--------|--------|--------|--------|--------|--------|--------|
| Rated current Amp: | 0.03A | 0.04A | 0.05A | 0.06A | 0.07A | 0.08A | 0.10A |
| Rated Power Watt: | 0.72W | 0.96W | 1.20W | 1.44W | 1.68W | 1.92W | 2.40W |
| Starting voltage: | 12.00V | 12.00V | 12.00V | 12.00V | 12.00V | 12.00V | 12.00V |
| Operation voltage: | 24.00V | 24.00V | 24.00V | 24.00V | 24.00V | 24.00V | 24.00V |

Physical boundaries:

| | | | |
|--------------------|-----------------------------|------------|---|
| MTBF time about: | <= H = 300K/h, > H = 250K/h | Drop test: | Withstands free body drop of 30cm on a 1m² wooden table with a thickness of 10mm. |
| Max.environment°C: | 70°C | Vib. test: | 1.000 R.P.M at 2mm amplitude for 30 Min. |

Item:

Safety standards:

Produced after following standards: CE, TÜV, UL, UR

Item:

Packing:

Size retail Box (LxWxH): 150x100x20mm

Shipping qty. carton: 200 pcs.

Note:

Revision:

Revision: 3.3

Last change: 2008-08-29

SmartCooler GmbH accept no liability for accuracy of the above given information.

Technical changes are subject to alteration.

SmartCooler GmbH - Bernardstraße 5-7 - D-63179 Obertshausen, Germany - EUROPE - Fon +49/6104/600 47-0 - Fax +49/6104/600 47-99

Geschäftsführer - Reinhard Bormuth - Handelsregister Offenbach HRB 11467 - VAT-No.: DE114191179

Internet: <http://www.smartcooler.de> - E-Mail: support@smartcooler.de