

SmartCooler®

DATASHEET

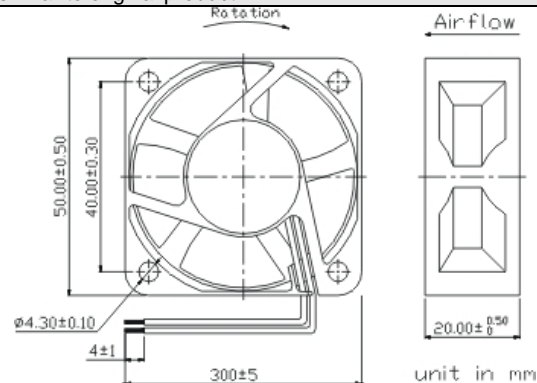
cooler than smart

LFW1450: SmartCooler® industrial fan 50x50x20mm

Picture similar to original product:



Drawing similar to original product:



Description:

50x20mm SmartCooler® industrial high end fan made of PBT + 15-30% GF UL94V-0 with very low noise features, minimum vibration and minimum pulsing noise. Rotation from 2.500 up to 6.000 R.P.M.. Airflow from 12.0 - 32.0m³/h. Noise from 12 - 32dBA.

Product data:

Size (LxWxH):	50x50x20mm	Bearing:	2 ball high tech nano bearing
Hole distance:	40.0mm	Weight:	32 gramm
Hole diameter:	4.3mm	Frame:	4-Hole Frame
Cable:	200mm, UL 1007 AWG 26	Connector:	3-Pin connector 2.54mm
Optional features:	Speed signal	Autorestart	PWM-Signal

Function data:

(V)= 4-Hole, (P)= PWM

Version:	L(V)	E(V)	M(V)	S(V)	H(V)	U(V)	X(V)
R.P.M. +/- 10%:	2.500	3.000	3.500	4.000	4.500	5.000	6.000
Airflow m ³ /h:	12.00	15.00	19.00	22.00	25.00	26.50	32.00
Airflow cfm:	7.058	8.823	11.17	12.94	14.70	15.58	18.82
Aqmm.	0.992	1.592	2.195	2.797	3.400	3.960	6.368
Noise dbA:	12.00	15.00	19.00	22.00	25.00	26.50	32.00

Electrical data:

	0.03A	0.04A	0.05A	0.06A	0.07A	0.09A	0.11A
Rated current Amp:	0.03A	0.04A	0.05A	0.06A	0.07A	0.09A	0.11A
Rated Power Watt:	0.72W	0.96W	1.20W	1.44W	1.68W	2.16W	2.64W
Starting voltage:	12.0V	12.0V	12.0V	12.0V	12.0V	12.0V	12.0V
Operation voltage:	24.0V	24.0V	24.0V	24.0V	24.0V	24.0V	24.0V

Physical boundaries:

MTBF time about:	<= H = 300K/h, > H = 250K/h	Drop test:	Withstands free body drop of 30cm on a 1m ² wooden table with a thickness of 10mm.
Max.environment°C:	70°C	Vib. test:	1.000 R.P.M at 2mm amplitude for 30 Min.

Item:

Safety standards:

Produced after following standards:

CE, TÜV, UL, UR

Item:

Packing:

Size retail Box (LxWxH):

170x120x20mm

Shipping qty. carton:

100 pcs.

Note:

Revision:

Revision: 3.4

Last change: 2012-04-12

SmartCooler GmbH accept no liability for accuracy of the above given information.

Technical changes are subject to alteration.

SmartCooler GmbH - Bernardstraße 5-7 - D-63179 Obertshausen, Germany - EUROPE - Fon +49/6104/600 47-0 - Fax +49/6104/600 47-99
Geschäftsführer - Reinhard Bormuth - Handelsregister Offenbach HRB 11467 - VAT-No.: DE114191179

Internet: <http://www.smartcooler.de> - E-Mail: support@smartcooler.de