

SmartCooler®

DATASHEET

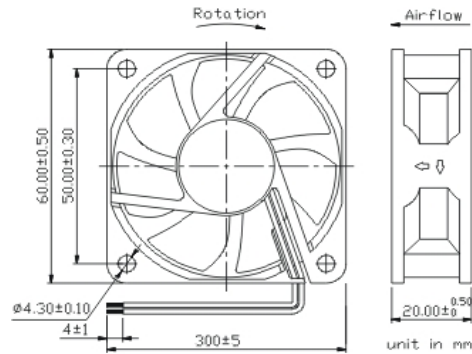
cooler than smart

LFW1460: SmartCooler® industrial fan 60x60x20mm

Picture similar to original product:



Drawing similar to original product:



Description:

60x20mm SmartCooler® industrial high end fan made of PBT + 15-30% GF UL94V-0 with very low noise features, minimum vibration and minimum pulsing noise. Rotation from 2.000 up to 6.000 R.P.M.. Airflow from 18.0 – 55.0m³/h. Noise from 12-38dBA.

Product data:

Size (LxWxH):	60x60x20mm	Bearing:	2 ball high tech nano bearing
Hole distance:	50.0mm	Weight:	50 gramm
Hole diameter:	4.3mm	Frame:	8-Hole, 4-Hole Frame
Cable:	500mm, UL 1007 AWG 26	Connector:	3-Pin, 4-Pin connector 2.54mm
Optional features:	Speed signal	Autorestart	PWM-Signal

Function data:

(V)= 4-Hole, (P)= PWM

Version:	L(V)	E(V)	M(V)	S(V)	H(P)(V)	U(P)(V)	X(P)(V)
R.P.M. +/- 10%:	2.000	2.500	3.000	3.500	4.000	5.000	6.000
Airflow m³/h:	18.00	23.00	27.00	32.00	37.00	46.00	55.00
Airflow cfm:	10.59	13.53	15.88	18.82	21.76	27.05	32.35
Aqmm:	1.037	1.815	2.590	3.370	4.150	7.255	10.36
Noise dbA:	12.00	15.00	19.00	22.00	25.00	32.00	38.00

Electrical data:

Rated current Amp:	0.03A	0.04A	0.05A	0.07A	0.09A	0.12A	0.15A
Rated Power Watt:	0.72W	0.96W	1.20W	1.68W	2.16W	2.88W	3.60W
Starting voltage:	12.00V	12.00V	12.00V	12.00V	12.00V	12.00V	12.00V
Operation voltage:	24.00V	24.00V	24.00V	24.00V	24.00V	24.00V	24.00V

Physical boundaries:

MTBF time about:	<= H = 300K/h, > H = 250K/h	Drop test:	Withstands free body drop of 30cm on a 1m² wooden table with a thickness of 10mm.
Max.environment°C:	70°C	Vib. test:	1.000 R.P.M at 2mm amplitude for 30 Min.

Item:

Safety standards:

Produced after following standards:

CE, TÜV, UL, UR

Item:

Packing:

Size retail Box (LxWxH):

170x120x20mm

Shipping qty. carton:

100 pcs.

Note:

Cable length 4-Hole Type:

200mm

Revision:

Revision: 3.3

Last change: 2008-09-01

SmartCooler GmbH accept no liability for accuracy of the above given information.

Technical changes are subject to alteration.

SmartCooler GmbH - Bernardstraße 5-7 - D-63179 Obertshausen, Germany - EUROPE - Fon +49/6104/600 47-0 - Fax +49/6104/600 47-99

Geschäftsführer - Reinhard Bormuth - Handelsregister Offenbach HRB 11467 - VAT-No.: DE114191179

Internet: <http://www.smartcooler.de> - E-Mail: support@smartcooler.de