

# SmartCooler®

## DATASHEET

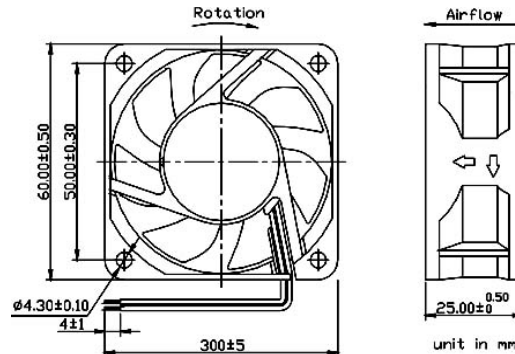
cooler than smart

### LFW1560: SmartCooler® industrial fan 60x60x25mm

Picture similar to original product:



Drawing similar to original product:



#### Description:

60x25mm SmartCooler® industrial high end fan made of PBT + 15-30% GF UL94V-0 with very low noise features, minimum vibration and minimum pulsing noise. Rotation from 1.700 up to 6.000 R.P.M.. Airflow from 18.0 – 63.8m<sup>3</sup>/h. Noise from 12-38dB(A).

#### Product data:

Size (LxWxH):	60x60x25mm	Bearing:	2 ball high tech nano bearing
Hole distance:	50.0mm	Weight:	60 gramm
Hole diameter:	4.3mm	Frame:	4-Hole, 8-Hole Frame
Cable:	500mm, UL 1007 AWG 26	Connector:	3-Pin, 4-Pin connector 2.54mm
Optional features:	Speed signal	Autorestart	PWM-Signal

#### Function data:

(V)= 4-Hole, (P)= PWM

Version:	L(V)	E(V)	M(V)	S(V)	H(P)(V)	U(P)(V)	X(P)(V)
R.P.M. +/- 10%:	1.700	2.200	2.700	3.300	4.000	5.000	6.000
Airflow m <sup>3</sup> /h:	18.00	23.30	28.60	35.00	42.50	53.20	63.80
Airflow cfm:	10.58	13.70	16.82	20.58	25.00	31.29	37.52
Aqmm.	0.941	1.660	2.380	3.765	5.150	8.720	12.29
Noise dbA:	12.00	15.00	19.00	22.00	25.00	32.00	38.00

#### Electrical data:

Rated current Amp:	0.05A	0.06A	0.08A	0.09A	0.10A	0.15A	0.20A
Rated Power Watt:	1.20W	1.44W	1.92W	2.16W	2.40W	3.60W	4.80W
Starting voltage:	12.00V	12.00V	12.00V	12.00V	12.00V	12.00V	12.00V
Operation voltage:	24.00V	24.00V	24.00V	24.00V	24.00V	24.00V	24.00V

#### Physical boundaries:

MTBF time about:	<= H = 300K/h, > H = 250K/h	Drop test:	Withstands free body drop of 30cm on a 1m <sup>2</sup> wooden table with a thickness of 10mm.
Max.environment°C:	70°C	Vib. test:	1.000 R.P.M at 2mm amplitude for 30 Min.

Item:

Safety standards:

Produced after following standards:

CE, TÜV, UL, UR

Item:

Packing:

Size retail Box (LxWxH):

170x120x25mm

Shipping qty. carton:

200 pcs.

#### Note:

Cable length 4-hole Type:

200mm

#### Revision:

Revision: 3.3

Last change: 2008-09-01

SmartCooler GmbH accept no liability for accuracy of the above given information.  
Technical changes are subject to alteration.

SmartCooler GmbH - Bernardstraße 5-7 - D-63179 Obertshausen, Germany - EUROPE - Fon +49/6104/600 47-0 - Fax +49/6104/600 47-99  
Geschäftsführer - Reinhard Bormuth - Handelsregister Offenbach HRB 11467 - VAT-No.: DE114191179  
Internet: <http://www.smartcooler.de> - E-Mail: [support@smartcooler.de](mailto:support@smartcooler.de)