

SmartCooler®

DATASHEET

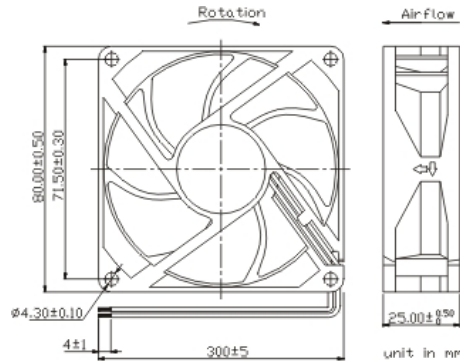
cooler than smart

LFW1580: SmartCooler® industrial fan 80x80x25mm

Picture similar to original product:



Drawing similar to original product:



Description:

80x25mm SmartCooler® industrial high end fan made of PBT + 15-30% GF UL94V-0 with very low noise features, minimum vibration and minimum pulsing noise. Rotation from 1.200 up to 4.000 R.P.M.. Airflow from 30 - 92m³/h. Noise from 9-38dBA.

Product data:

Size (LxWxH):	80x80x25mm	Bearing:	2 ball high tech nano bearing
Hole distance:	71.5mm	Weight:	69 gramm
Hole diameter:	4.3mm	Frame:	4 or 8-Hole Frame
Cable:	500mm, UL 1007 AWG 26	Connector:	3-Pin, 4-Pin connector 2,54mm
Optional features:	Speed signal	Autorestart	PWM-Signal

Function data:

(V)= 4-Hole, (P)= PWM

Version:	L	E	M(V)	S(V)	H(P)(V)	U(P)(V)	X(P)(V)
R.P.M. +/- 10%:	1.200	1.500	2.000	2.500	3.000	3.500	4.000
Airflow m ³ /h:	30.00	37.00	49.00	59.00	70.00	82.00	92.00
Airflow cfm:	17.64	21.76	28.82	34.70	41.17	48.23	54.11
Aqmm.	0.640	0.906	1.585	2.650	3.625	4.982	6.340
Noise dbA:	9.000	12.00	19.00	28.00	32.00	35.00	38.00

Electrical data:

Rated current Amp:	0.04A	0.05A	0.06A	0.08A	0.10A	0.12A	0.15A
Rated Power Watt:	0.96W	1.20W	1.44W	1.92W	2.40W	2.88W	3.60W
Starting voltage:	12.00V	12.00V	12.00V	12.00V	12.00V	12.00V	12.00V
Operation voltage:	24.00V	24.00V	24.00V	24.00V	24.00V	24.00V	24.00V

Physical boundaries:

MTBF time about:	<= H = 300K/h, > H = 250K/h	Drop test:	Withstands free body drop of 30cm on a 1m ² wooden table with a thickness of 10mm.
Max.environment°C:	70°C	Vib. test:	1.000 R.P.M at 2mm amplitude for 30 Min.

Item:

Safety standards:

Produced after following standards:

CE, TÜV, UL, UR

Item:

Packing:

Size retail Box (LxWxH):

195x150x25mm

Shipping qty. carton:

100 pcs.

Note:

Revision:

Revision: 3.3

Last change: 2008-09-01

SmartCooler GmbH accept no liability for accuracy of the above given information.
Technical changes are subject to alteration.

SmartCooler GmbH - Bernardstraße 5-7 - D-63179 Obertshausen, Germany - EUROPE - Fon +49/6104/600 47-0 - Fax +49/6104/600 47-99
Geschäftsführer - Reinhard Bormuth - Handelsregister Offenbach HRB 11467 - VAT-No.: DE114191179
Internet: <http://www.smartcooler.de> - E-Mail: support@smartcooler.de